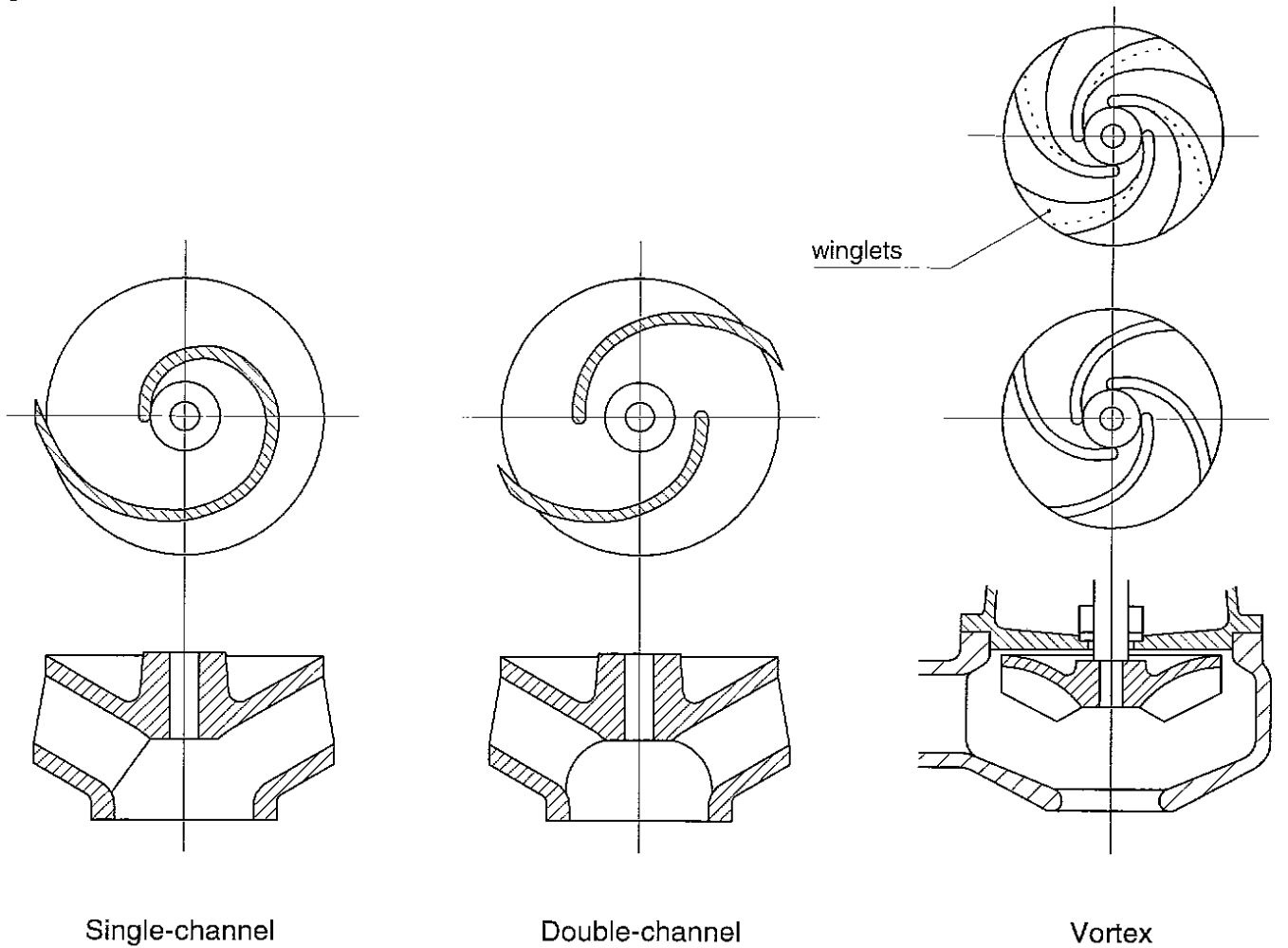


Typical Impeller types used in sewage pumping.

Fig. 20



Different impeller types for sewage pumps. Single-channel and double-channel impellers are centrifugal pump impellers for sewage use. In the vortex pump the pumped medium does not pass through the impeller but is pumped by the dynamic vortex in the pump housing, induced by the impeller.

Vortex impellers tend to be used in small flow applications 1- 100 l/second